

fingersafe[®] Home

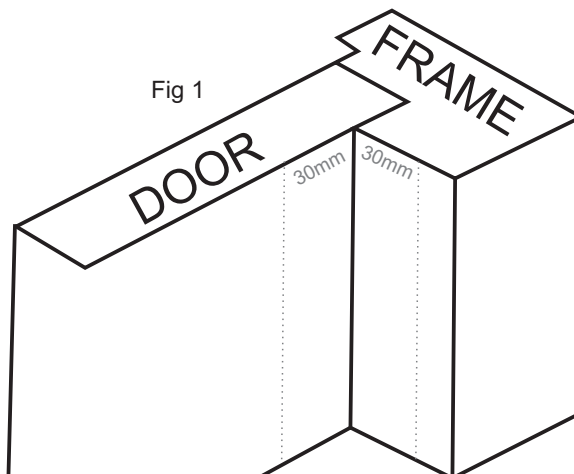
FITTING INSTRUCTIONS

Tools Required Powered or ordinary screwdriver
 Stanley-type knife
 2.5mm drill bit (only for metal framed doors and kickplates)
 PZ1 Posidrive bit (for use with powered screwdriver)

STEP 1 Check the condition of the door. i.e, hinges, its vertical plumbness etc..If in poor condition or has rising butt hinges, please call our helpline before fitting for advice and direction.

STEP 2 Cut **fingersafe Home** device (if required) ensuring that it finishes not less than 20mm short of the door top and bottom. Where footplates or kickplates are encountered always try and fit **fingersafe Home** over them, except in extreme cases where they are just too thick to get over and in these rare situations, the installer must bring the matter to the attention of the customer, who must then decide to either remove, cut and refit the kickplate or run the risk of an accident.

STEP 3 With the door in the closed position, measure and mark a vertical line at a distance of 30mm from the corner of the door and frame on each side (see fig 1 below)



STEP 5 Open the door and wedge open (see fig 2). Remove double sided tape cover from one side only (see fig 3). Line up this edge of **Fingersafe Home** device on the guide line drawn on the frame. Once the device is aligned, press firmly into position to ensure maximum adhesion. Secure the device with the screws provided, ensuring there is a screw in every hole. (see fig 4)

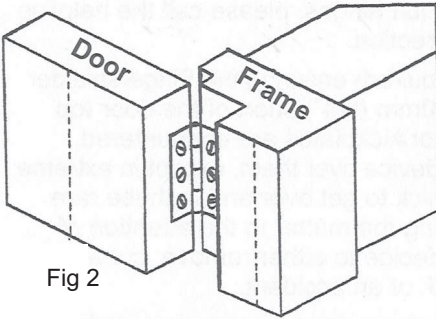


Fig 2

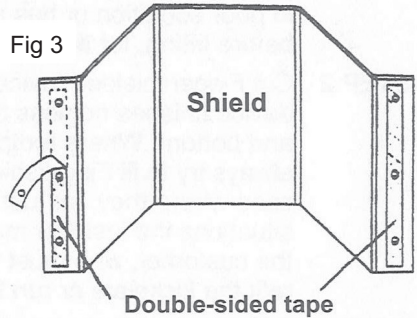


Fig 3

Double-sided tape

STEP 5 Repeat the process of step 5 to affix to the door. (see fig 5)

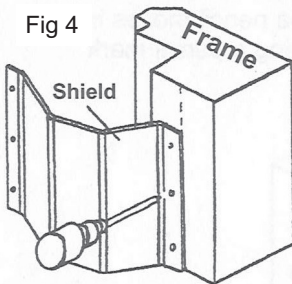


Fig 4

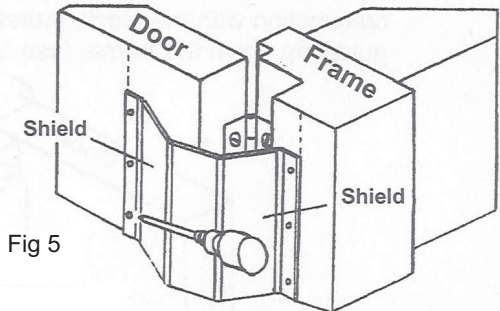


Fig 5

PLEASE NOTE:

Please ensure you use the screw provided or an exact size and type of screw.

DO NOT USE ANY OTHER SIZE OR TYPE OF SCREW

Once fitted, the device should be in the position shown in figs 6 & 7

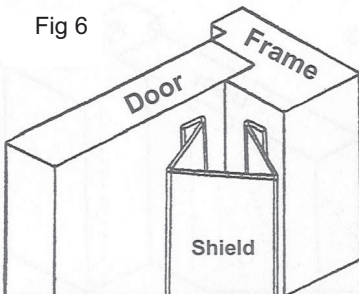


Fig 6

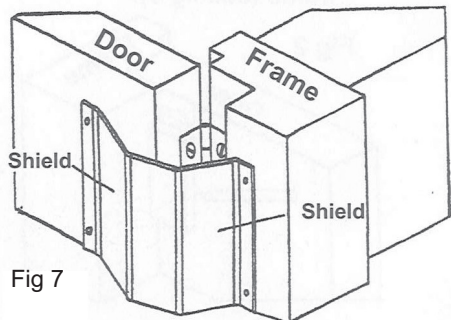


Fig 7